

T-PL SERIE 3/4" 2/2 Way NC SOLENOID VALVE

General Description

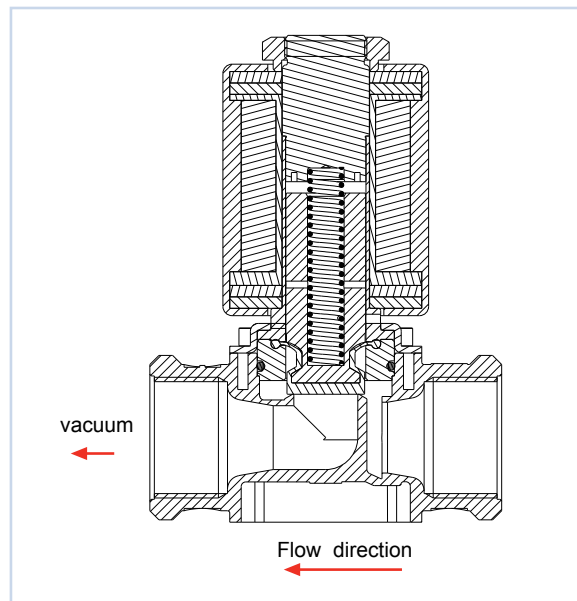
These T-PL serie 2/2 way NC solenoid valves are recommended for use in applications where corrosive fluid must be controlled, such as in chemical process, water treatment, analysis device etc.

They can be used in industrial and irrigation control and automation systems.



Notes

- Contact our technical department for more information on valve and fluid compatibility.
- To order valves manufactured to your specific requirements, please contact our technical department.
- Specify if application is pressure or vacuum.



How to Order

Example :

Is a T-PL, 3/4" BSP, 2WNC for vacuum, Viton seals, 24V AC 18W with connector.

Note: When ordering without coil, please define what current and pressure rating is needed (DC or AC).

T-PL	Port	Function	Pressure	Seals	Voltage	Power	Connector
	3/4" BSP	2W NC	Vacuum	Viton	W/out coil	No coil	without
	50	1	1	V	24	3	with
	3/4" NPT		Pressure	EPDM	110	5	with LED
	51		2	E	230	7	with bi color LED
					other	9	LED
							flying leads
							coil
							with 1/2" Hub
							surge protection with LED
							6
							other
							9

SMS Industrial Control Valves & Automation Systems Co.

Head Office / Store (Asian side): Bostancı Yolu Cad. Kuru Sok. No:16 Y. Dudullu, 34776 Ümraniye / Istanbul - Turkey
Tel: +90 (216) 364 34 05 (pbx) Fax: +90 (216) 364 37 57

Karaköy Store (European side): Necatibey Cad. Ağaç Tulumba Sk. No: 4, 80030 Karaköy / Istanbul - Turkey
Tel: +90 (212) 251 44 54 (pbx) Fax: +90 (212) 251 44 55

Factory: İMES D Blok 310 Sok. No: 2 Y. Dudullu, 34776 Ümraniye Istanbul - Turkey
Tel: +90 (216) 364 34 05 (pbx)

Technical Specifications

Function:	2/2 Way NC
Ports size:	3/4" BSP & NPT
Orifice:	14mm
Kv:	40 L/min
Pressure:	See table
Temperature range:	Fluid: 5° C to max 50° C Ambient: 5° C to 50° C
Materials:	Main valve: PVC Diaphragm: Viton, EPDM
Coil Voltage:	coils voltages from -5% to +10% AC - inrush 65VA at 50 Hz holding 32VA (18W) at 50Hz DC -38W

Protection class IP65 with plug attached

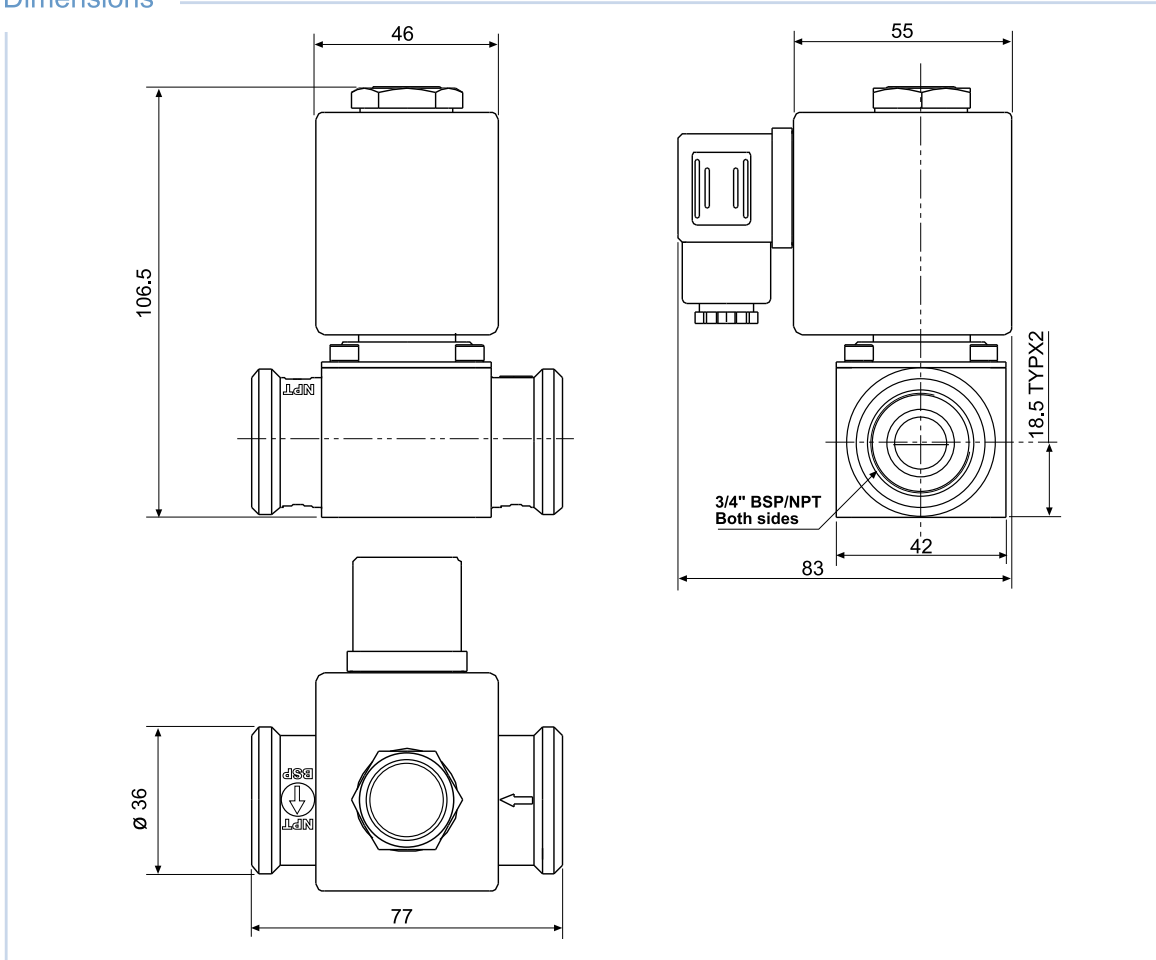
Pressure Table - NC

Coil	Flow direction not restricted	Flow direction restricted
AC / DC	0 to 3 bar	Min.Δp 1 bar

Vacuum Type Table - NC

Coil	Flow direction not restricted	Flow direction restricted
AC / DC	-1 to 0.5	-1 to 0.5

Dimensions



SMS Industrial Control Valves & Automation Systems Co.

Head Office / Store (Asian side): Bostancı Yolu Cad. Kuru Sok. No:16 Y. Dudullu, 34776 Ümraniye / Istanbul - Turkey
Tel: +90 (216) 364 34 05 (pbx) Fax: +90 (216) 364 37 57

Karaköy Store (European side): Necatibey Cad. Ağaç Tulumba Sk. No: 4, 80030 Karaköy / Istanbul - Turkey
Tel: +90 (212) 251 44 54 (pbx) Fax: +90 (212) 251 44 55

Factory: İMES D Blok 310 Sok. No: 2 Y. Dudullu, 34776 Ümraniye Istanbul - Turkey
Tel: +90 (216) 364 34 05 (pbx)